


MITCHELLS

PROCESS AND PRODUCT  
HANDLING SPECIALISTS



  
MITCHELLS  
EUROPE

A black and white photograph of an industrial facility. A tall, complex metal structure with multiple levels of walkways and ladders is the central focus. A long, angled conveyor pipe extends from the top of this structure towards the right. In the foreground, there are large, cylindrical storage tanks. The sky is clear and dark.

# ROUND BOTTOM DRAG CONVEYORS

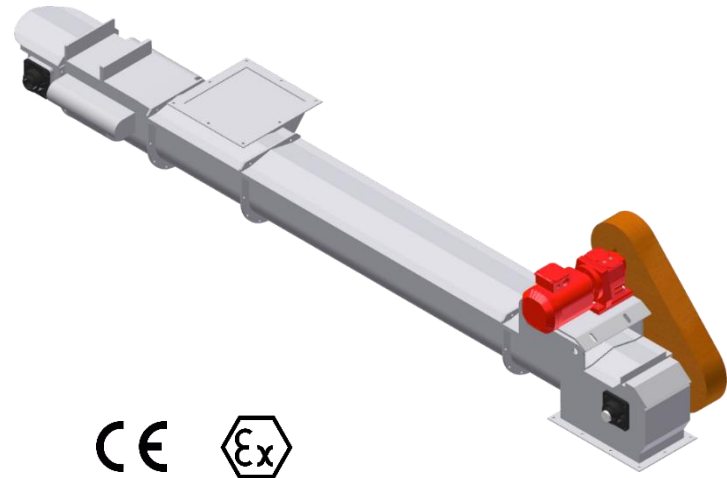
DESIGN & FEATURES  
SAFETY & QUALITY  
CAPACITIES

Complete conveying solutions across a range of industries.

# Round Bottom Drag Conveyors

## Design & Features

- Sizes: from 150mm to 500mm. Bigger models available upon request
- Capacities: Up to 440MT/hr, based on material density of 721kg/m<sup>3</sup> (45lb/ft<sup>3</sup>).
- Round bottom for clean conveying applications.
- Telescopic tail section to ensure minimal areas for material build-up
- Standard, Divided flow and side entry inlet options available.
- Direct drive, chain drive, "V" belt drive systems are available.
- Heavy duty construction, mild & stainless steel fabrication, painted or hot dip galvanized finish



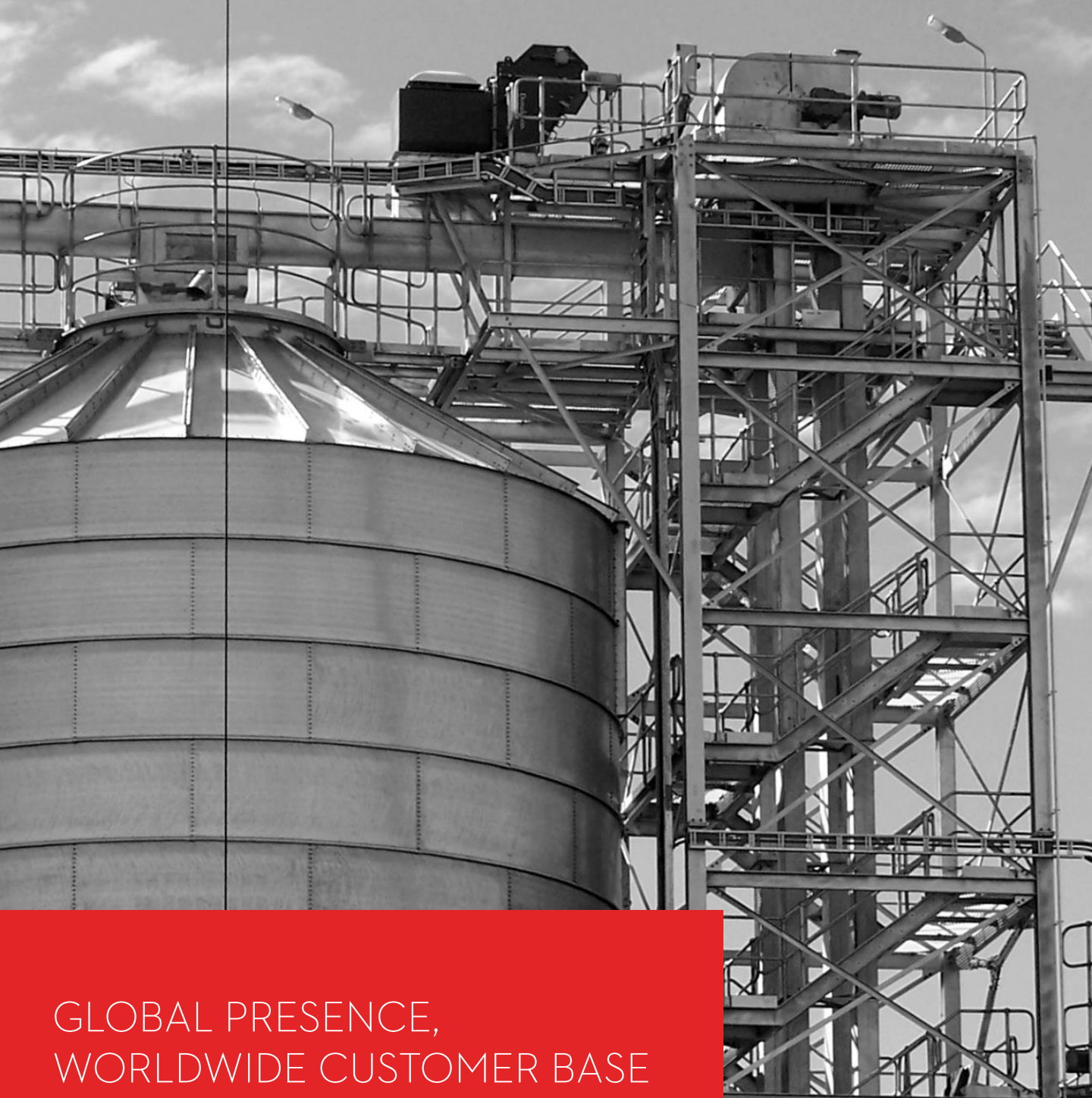
## Safety & Quality

- CE Certified in accordance with test standards EN 618:2002+A1:2010, EN ISO12100:2010
- ATEX approved for use in areas at risk of explosive atmospheres

Model	Nominal Width (mm)	Maximum Material height (mm)	Capacity (m <sup>3</sup> /hr)							
			Chain speed (m/s)							
			0.1	0.2	0.3	0.4	0.5	0.6	0.7	0.8
Model 150	150	95	4.5	9	13.5	18	22.5	27	31.5	36
Model 225	225	130	8.5	17	25.5	34	42.5	51	59.5	68
Model 300	300	185	16.5	33	49.5	66	82.5	99	115.5	132
Model 350	350	235	25	50	75	100	125	150	175	200
Model 400	400	250	29.5	59	88.5	118	147.5	177	206.5	236
Model 450	450	290	39	78	117	156	195	234	273	312
Model 500	500	360	55	110	165	220	275	330	385	440

\* Conveyor capacities based on 95% filling





GLOBAL PRESENCE,  
WORLDWIDE CUSTOMER BASE

**MITCHELLS**

PROCESS AND PRODUCT  
HANDLING SPECIALISTS



  
**MITCHELLS**  
EUROPE

MITCHELLS  
WORLDWIDE  
MARKETING



**Mitchells Equipment (Nanjing) Co., Ltd**  
Workshops 9 & 11,  
Phase 2, 86 Shuang Gao Road,  
Gaochun ETDZ, Gaochun, Nanjing, Jiangsu,  
PR China 211300

**Mitchells Europe**  
11 rue des Trois Cantons,  
Windhof Koerich,  
Luxembourg L-8399

**Mitchells Worldwide Marketing**  
190 Middle Road  
# 19-05 Fortune Centre  
Singapore 188970